

SymLine[®]

Chemical Waste Systems

CHECKMATE FOR HAZARDOUS LIQUIDS!

Keep waste liquids which are hazardous to health and environment in check, before they become dangerous for you. This is the SymLine[®] principle.



What is SymLine[®]? The right strategy for liquid waste!

Environmental protection, more free space, less hazards at your workplace - the SymLine[®] system integrates directly into your laboratory furniture. Waste containers are stored outside your working space. For more safety, comfort and sustainable pollution control.

Perfectly synchronised.

Perfectly synchronised parts and devices make handling of waste liquids as safe as never before. Whether in laboratories, technical centres or production plants - SymLine[®] has the right components for sustainable liquid waste management.



SymLine® is a brand of



Economical and efficient.

The disposal containers can be used at the same time by several work stations. Splashes and spilt hazardous material are things of the past.

No disturbances or interruptions!

Dispose of your liquids directly at the experiment setting without long routes to the collection containers. This saves time and your filling level is continuously monitored.

Holistic and sustainable.

SymLine® provides a fully complete disposal concept. The modular system provides many individual combination options and it is simple to integrate external units.

Ideal accessibility.

Ideal access to the collection containers is also ensured in confined spaces – the tube system and numerous adapters have been specially developed for this purpose.

Efficient use of space.

The compact-space saving construction means that SymLine® components can be incorporated ideally into the concept of modern lab facilities – where it's a matter of economical use of working space available.

Safe for the environment and for health.

Daily liquid waste in the lab is transferred safely and in line with regulations between the working and storage area – without any emission in the working environment harmful to health or the environment.



www.symline.de

SymLine[®]

Chemical Waste Systems

ACTIVE DISPOSAL: IN LINE WITH REGULATIONS!

'Active storage is the storage of flammable liquids in (...) transportable, non-breakable containers, which are used in their storage place as stationary removal or collection containers or are opened for other purposes.'

(Extract TRbF 20, updated version: TRGS 510)

SymLine[®] not only provides active storage but incorporates the entire lab into its safety concept. From the collective point at withdrawal to storage in the collecting container. This ensures that **active disposal** results from active storage.

HPLC connection

Connection of waste tubes with solvent waste – directly into the disposal system!



Safety Funnel & Sink

Disposal is made directly on drainage – no long routes to the waste receptacles.

FUME CUPBOARD

Pipe and tube system

Numerous connection options for ideal adjustment to your workplace. Individual tube lengths and adapters ensure maximum flexibility.

Grounding and Antistatic

Electrostatic conductive plastics ensure ideal protection against static charging and spark formation.

Safety Cabinets

Explosion and fire prevention in accordance with the latest standards.

Containers & Caps

Gases and vapours do not penetrate the lab air. Exhaust filters and ventilation lines effectively eliminate risks for health and environment.



SymLine® is a brand of



CLEVER & SAFE DISPOSAL.

SymLine® is included in design planning by leading lab furniture manufacturers in the planning phase for new laboratory buildings. Our modular and flexible system can also be incorporated easily into existing lab facilities.

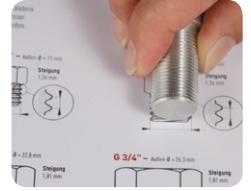


YOU'RE PLANNING SOMETHING? WE CAN HELP!

Talk to your lab furniture manufacturer, lab planner and to us about SymLine® products.

www.symline.de

Thread Types Determination



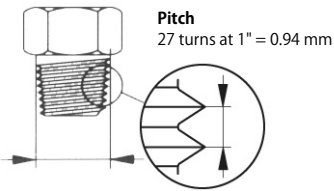
Drawings in scale 1:1

NPT (National Pipe Thread) tapered, american pipe thread

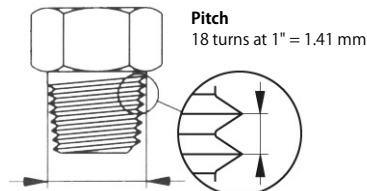
Easy recognisable by its tapered outer and inner diameter which is selfsealing.

Therefore, NPT threads are also known as “sealing thread” or “tightly threaded connection”.

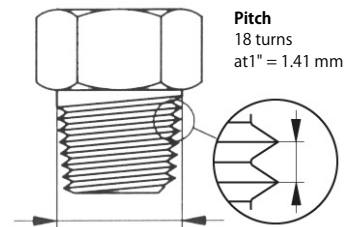
NPT 1/8" – outer- \varnothing = 9.9 mm



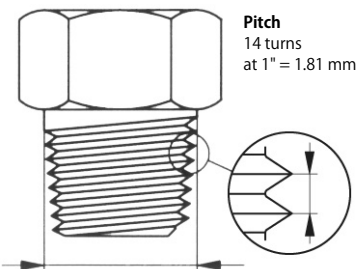
NPT 1/4" – outer- \varnothing = 13.2 mm



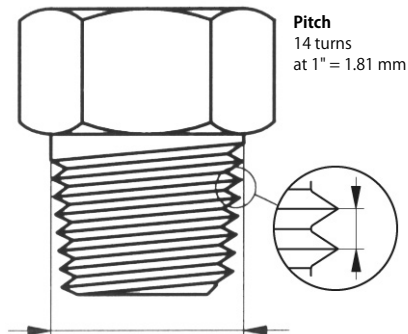
NPT 3/8" – outer- \varnothing = 16.6 mm



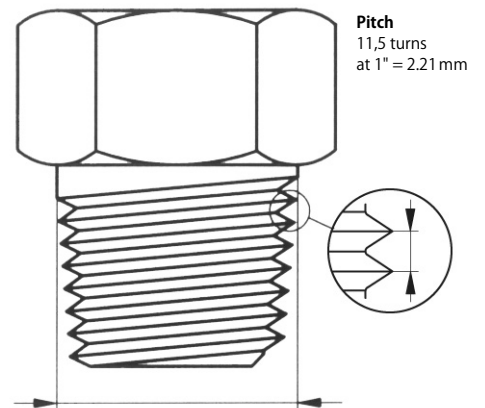
NPT 1/2" – outer- \varnothing = 20.6 mm

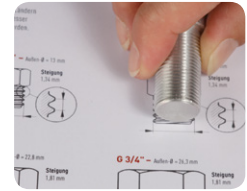


NPT 3/4" – outer- \varnothing = 26 mm



NPT 1" – outer- \varnothing = 32.5 mm



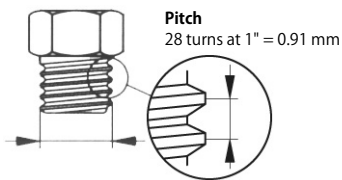


Drawings in scale 1:1

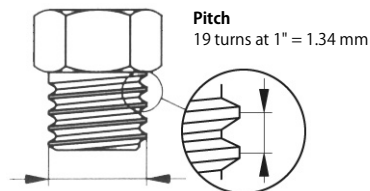
G or R (Whitworth thread) and BSP (British Standard Pipe)

Cylindrical threads which are mainly used in countries with imperial system. The size of e.g. R 3/4" does not stand for a diameter. Thus the corresponding size has to be determined according to charts.

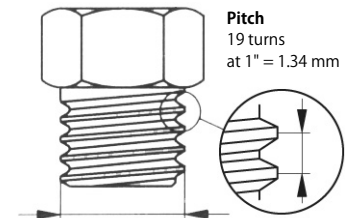
G 1/8" – outer- \varnothing = 9.6 mm



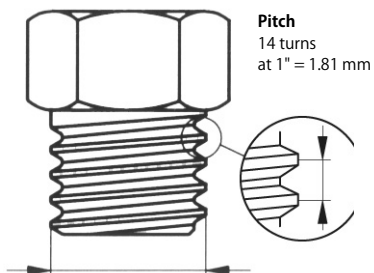
G 1/4" – outer- \varnothing = 13 mm



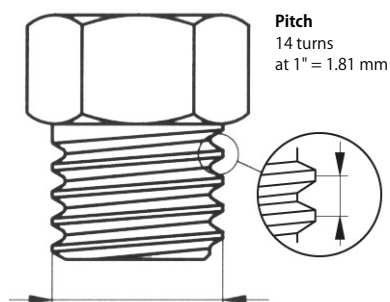
G 3/8" – outer- \varnothing = 16.5 mm



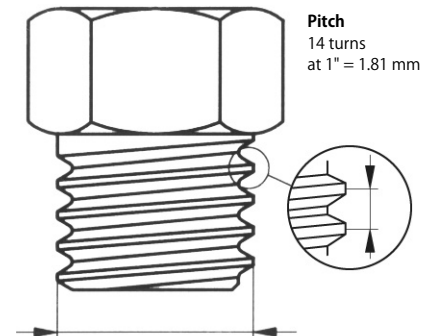
G 1/2" – outer- \varnothing = 20.8 mm



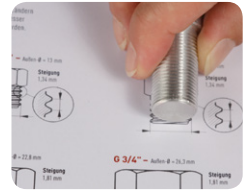
G 5/8" – outer- \varnothing = 22.8 mm



G 3/4" – outer- \varnothing = 26.3 mm



Thread Types Determination

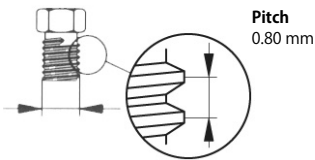


Drawings in scale 1:1

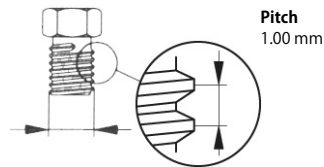
M (metric ISO-thread) – standard in Europe

Cylindrical inner and outer diameter which is precise in millimetres. The extremely fine taper of this thread allows the best possible force transmission. Metric threads are designated by a capital M plus an indication of their nominal outer diameter, for instance M 10. A taper deviating from the standard is marked with an appendix like for instance M 10 x 0.75.

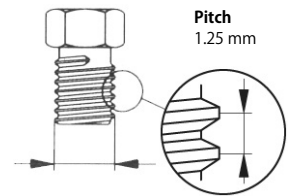
M5 – outer- \varnothing = 5 mm



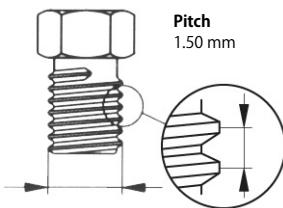
M6 – outer- \varnothing = 6 mm



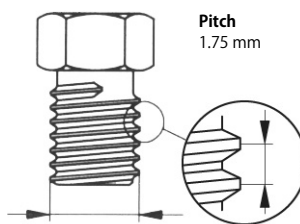
M8 – outer- \varnothing = 8 mm



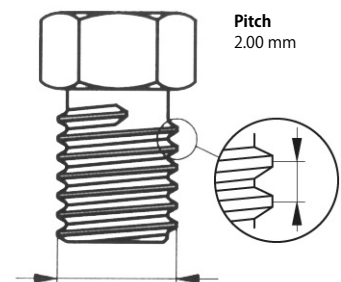
M10 – outer- \varnothing = 10 mm

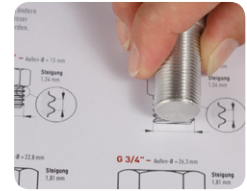


M12 – outer- \varnothing = 12 mm



M16 – outer- \varnothing = 16 mm





Drawings in scale 1:1

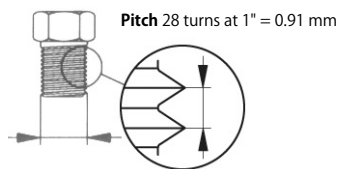
UNF 1/4"-28G

It has its origin in the USA. Mainly used in chromatography/HPLC applications. Most common sizes are UNF 1/4"-28G and UNF 10-32G. The digits 28 G and 32 G stand for the number of thread pitches at a length of one inch (25.4 mm).

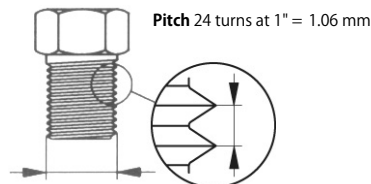
UNF 1/4"-28G versus M 6

Without exception all of our HPLC fittings come with the most common HPLC thread UNF 1/4"-28G. In addition, fittings and distributors with the very similar thread M 6 are used. These threads can only be distinguished by exact determination of their outer diameter or by using a test mandrel (it is possible to screw in a tube end fitting in the counterpart of the other thread for at least 2-3 rotations). The UNF 1/4" thread has an outer diameter of 6.35 mm, the M 6 thread has precisely 6 mm (work tolerances are possible). We recommend to use only the UNF 1/4"-28G thread to avoid confusion and double inventory.

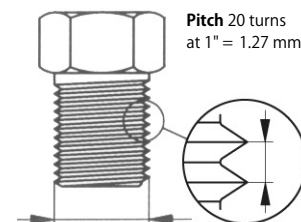
UNF 1/4"-28G – outer-Ø = 6.2 mm



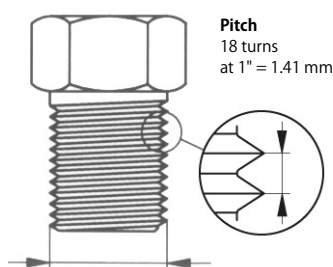
UNF 3/8"-28G – outer-Ø = 9.4 mm



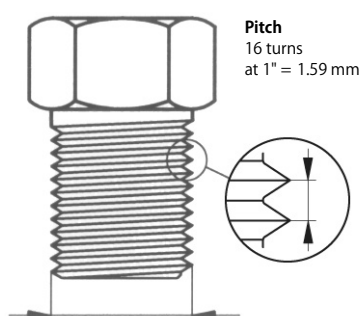
UNF 1/2"-28G – outer-Ø = 12.6 mm



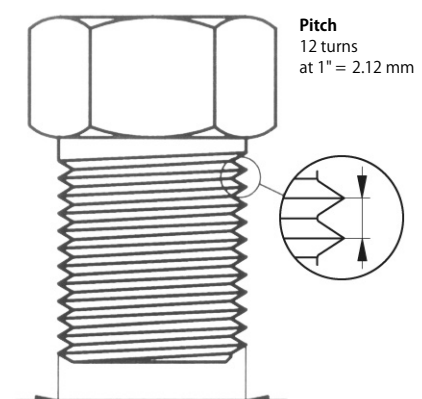
UNF 5/8"-18G – outer-Ø = 15.7 mm



UNF 3/4"-16G – outer-Ø = 18.9 mm



UNF 1"-12G – outer-Ø = 25.2 mm



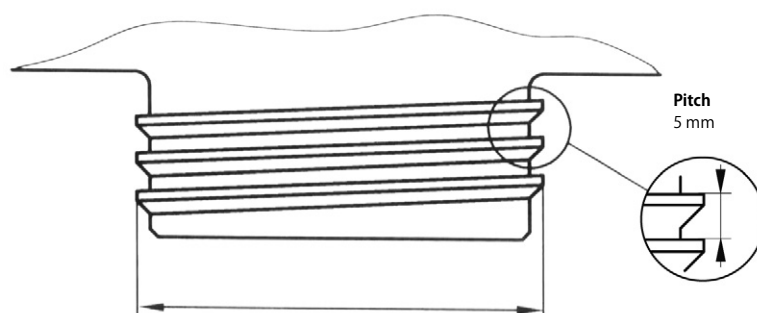
Thread Types Canisters

Drawings in scale 1:1

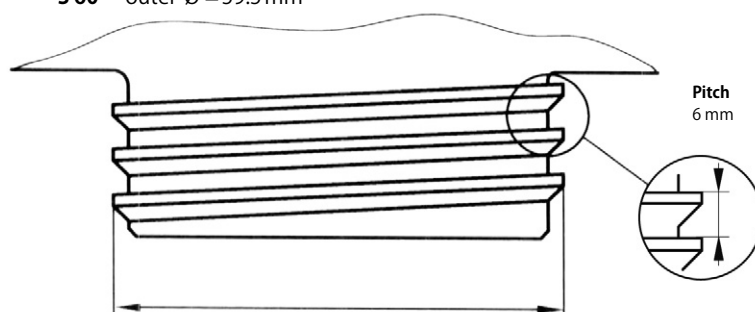
Threads S 55 and S 60

All thread types for canisters are listed in the chapter of waste systems.

S 55 – outer- \varnothing = 53.5 mm



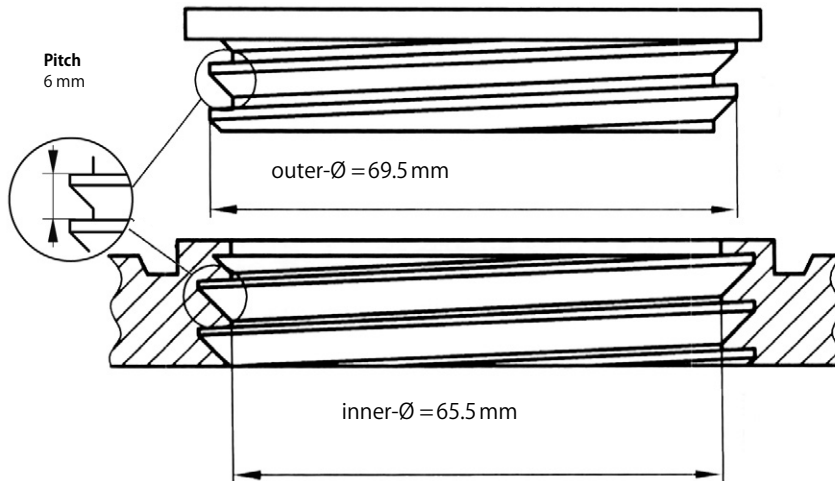
S 60 – outer- \varnothing = 59.5 mm



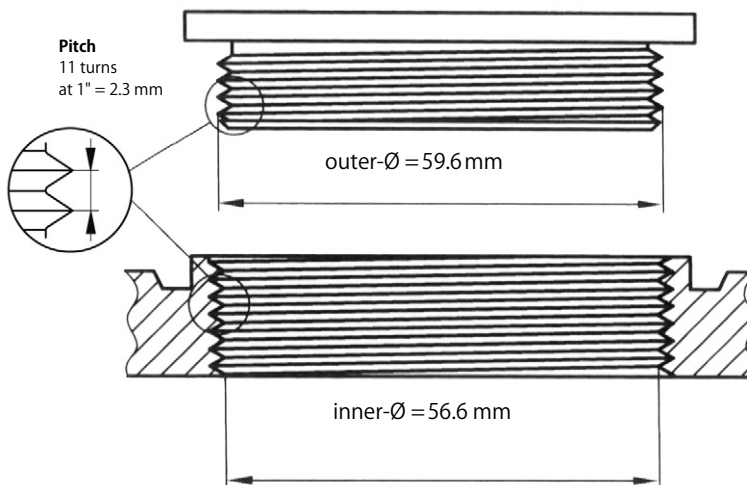
Thread Types Barrels

Drawings in scale 1:1

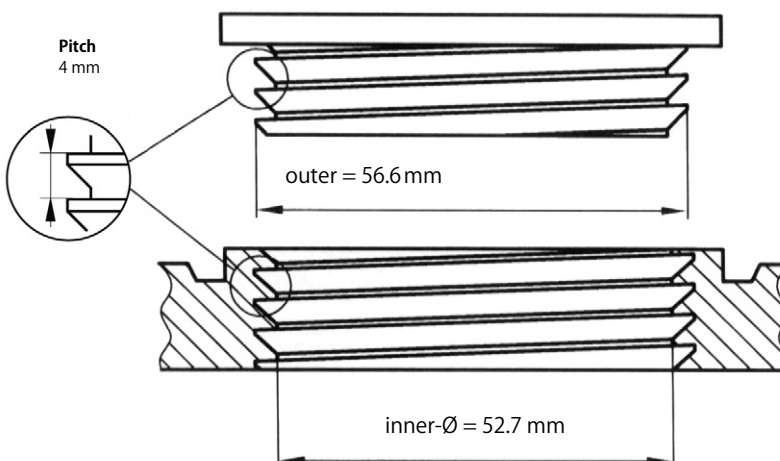
BCS 70x6 MAUSER 2"®



G2"/ R 2"/ BSP 2"



BCS 56x4 Tri Sure2"®



Thread Types

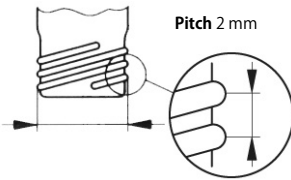
Glas threads

Drawings in scale 1:1

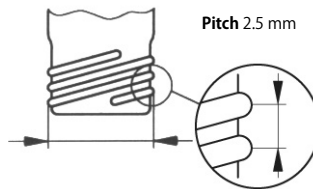
GL-threads

GL threads are round threads, i.e. there are only round and no sharp ends at the flanks of the screw thread. Due to its simple shape and the round ends of the flanks, this thread can easily be formed on glass pipes. The extremely high pitch and the large flanks give this thread an important carrying power.

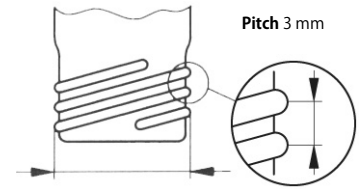
GL 12 – outer- \varnothing = 12 mm



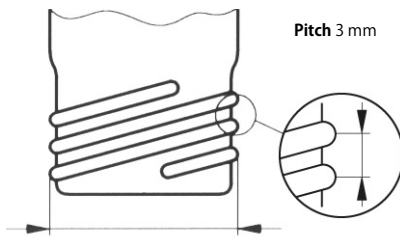
GL 14 – outer- \varnothing = 14 mm



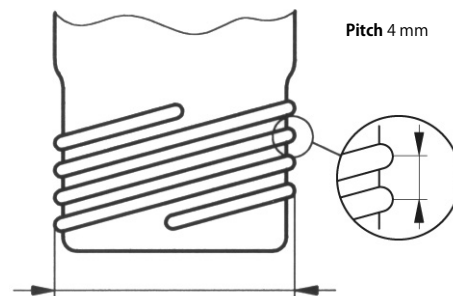
GL 18 – outer- \varnothing = 18 mm



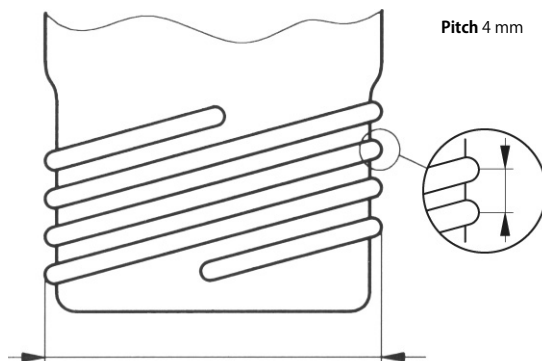
GL 25 – outer- \varnothing = 25 mm



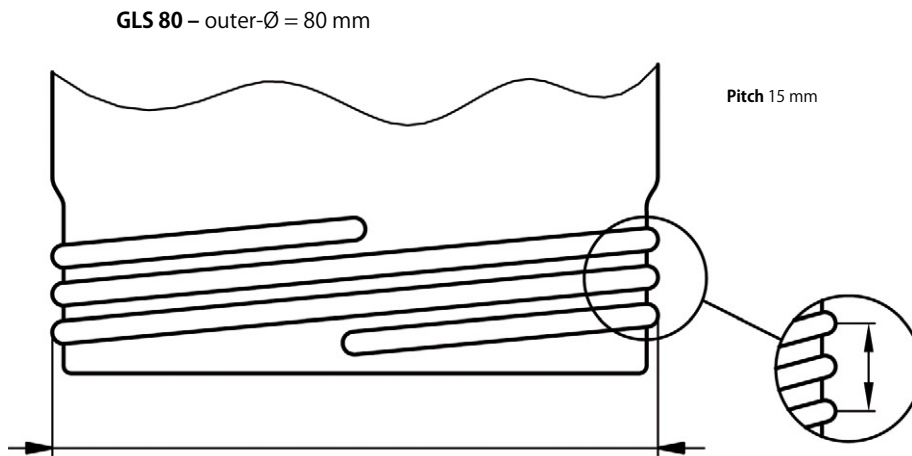
GL 32 – outer- \varnothing = 32 mm



GL 45 – outer- \varnothing = 45 mm



Drawings in scale 1:1



Conversions Inches - Millimeters / Millimeters - Inches

Inches in Millimeters		
Inch Fractional notation "	Inch Decimal notation "	Millimeters Decimal notation mm
1/16	0.062	1.57
1/8	0.125	3.18
3/16	0.188	4.78
1/4	0.250	6.35
5/16	0.313	7.95
3/8	0.375	9.53
7/16	0.438	11.13
1/2	0.500	12.70
9/16	0.563	14.30
5/8	0.625	15.88
11/16	0.688	17.48
3/4	0.750	19.05
13/16	0.813	20.65
7/8	0.875	22.23
15/16	0.938	23.83
1	1	25.40
2	2	50.80
3	3	76.20
4	4	101.60
5	5	127.00
6	6	152.40
7	7	177.80
10	10	254.00

Millimeters to Inches	
Millimeters mm	Decimal Inches in "
1.0	0.039
1.8	0.071
2.0	0.079
3.0	0.118
3.2	0.126
4.0	0.157
4.3	0.169
4.6	0.181
5.0	0.197
6.0	0.236
7.0	0.276
8.0	0.315
9.0	0.354
10.0	0.394
20.0	0.787
30.0	1.181
40.0	1.575
50.0	1.969
60.0	2.362
70.0	2.756
80.0	3.150
90.0	3.543
100.0	3.937

Part Number Index

Part No.	Pages	Part No.	Pages	Part No.	Pages	Part No.	Pages
100 703	86	107 074	114	107 303	16	107 712	95, 96
101 994	90	107 076	114	107 304	16	107 713	95, 96
101 995	90	107 078	114	107 307	61	107 720	94
101 996	90	107 079	114	107 310	61	107 721	94
101 997	90	107 080	114	107 312	15	107 722	94
101 998	90	107 082	113	107 313	16	107 730	96
107 000	81	107 083	114	107 314	16	107 731	94
107 005	13	107 084	114	107 315	72	107 733	96
107 006	13	107 085	114	107 319	10	107 740	96
107 007	7	107 086	114	107 320	72	107 740	83
107 008	7	107 087	113	107 321	72	107 742	14
107 009	7	107 088	114	107 328	61	107 801	111
107 014	113	107 089	114	107 330	97	107 802	111
107 015	113	107 090	114	107 331	97	107 803	111
107 016	113	107 091	114	107 332	97	107 804	111
107 017	113	107 092	114	107 333	97	107 806	111
107 018	114	107 093	114	107 334	97	107 807	111
107 019	5, 18	107 094	114	107 335	97	107 808	107
107 021	114	107 095	114	107 336	97	107 810	20
107 022	114	107 096	114	107 337	19	107 810	107
107 023	113	107 097	114	107 338	97	107 811	107
107 024	113	107 098	113	107 339	97	107 812	107
107 025	113	107 099	114	107 345	15	107 813	107
107 026	114	107 100	13	107 346	16	107 814	107
107 027	114	107 101	13	107 347	16	107 816	107
107 028	114	107 105	13	107 348	16	107 817	107
107 030	14	107 108	35	107 349	16	107 820	111
107 031	14	107 109	35	107 353	16	107 821	111
107 032	14	107 119	9	107 354	16	107 822	111
107 034	53	107 219	10	107 362	16	107 823	111
107 035	14	107 241	40	107 363	15	107 824	111
107 036	53	107 242	40	107 410	6	107 825	111
107 037	41	107 243	40	107 416	71, 72	107 826	111
107 038	47	107 244	40	107 506	12	107 880	86
107 041	105	107 245	41	107 507	12	107 881	86
107 042	105	107 246	41	107 508	12	107 882	86
107 043	105	107 247	47	107 509	12	107 883	86
107 044	8, 106	107 248	47	107 512	14	107 884	86
107 045	8, 106	107 249	47	107 519	10	107 885	85
107 046	8, 106	107 250	48	107 520	6	107 886	85
107 047	8, 106	107 251	48	107 607	12	107 889	85
107 048	105	107 252	48	107 610	109	107 909	5, 18
107 050	47	107 253	48	107 617	109	107 910	5, 20
107 051	47	107 254	48	107 620	104	107 911	61
107 052	53	107 255	54	107 621	104	107 912	35
107 053	54	107 256	57	107 622	104	107 913	51
107 054	41	107 257	57	107 624	104	107 915	51
107 057	42	107 258	57	107 627	104	107 916	45
107 059	105	107 259	57	107 628	109	107 917	43
107 060	105	107 260	57	107 632	104	107 918	45
107 061	20, 105	107 261	58	107 704	94	107 919	9
107 062	20, 105	107 262	58	107 706	95, 96	107 920	9
107 063	20, 105	107 263	58	107 707	96	107 922	39
107 064	8, 20, 105	107 264	58	107 709	94	107 923	35, 61
107 065	20, 105	107 265	58	107 710	95, 96	107 924	43
107 066	105	107 300	15	107 711	91, 92	107 925	45

Part No.	Pages	Part No.	Pages	Part No.	Pages	Part No.	Pages
107 926	51	108 022	113	108 155	54	112 312	21
107 927	55	108 023	37	108 156	53	112 319	22
107 928	55	108 024	37	108 157	79	112 410	21
107 930	39	108 025	37, 61	108 158	79	112 419	22
107 933	92	108 026	37	108 159	79	112 519	22
107 935	40	108 027	93, 94	108 160	79	112 520	21
107 936	43	108 029	113	108 161	79	112 909	18, 21
107 938	115	108 030	44	108 176	115	112 910	21
107 939	115	108 031	56	108 192	93, 94	112 911	59, 103
107 940	95, 96	108 032	8	108 193	94	112 912	36
107 942	39	108 033	44	108 200	43	112 914	59, 103
107 943	44	108 034	45	108 201	44	112 919	22
107 944	46	108 035	51	108 202	50	112 920	22
107 945	52	108 037	80	108 203	49	112 921	35
107 947	55	108 038	80	108 204	54	112 923	36
107 949	56	108 042	72, 83, 84, 93, 94	108 205	53	117 010	6, 10, 11, 12, 20, 101
107 950	91, 92	108 043	72, 83, 84, 93, 94	108 214	93, 94	117 011	8, 101
107 951	20, 61, 91, 92	108 045	80	108 215	93, 94	117 030	114
107 952	61, 91, 92	108 046	49	108 216	93, 94	117 091	114
107 953	72, 93, 94	108 047	49	108 217	93, 94	117 094	114
107 955	92	108 048	80	108 230	56	117 095	114
107 956	93, 94	108 050	80	108 231	55	117 620	68
107 957	91, 92	108 051	80	108 272	115	117 621	67, 68, 72
107 958	91, 92	108 054	49	108 275	115	117 623	68
107 959	94	108 055	50	108 401	46	117 624	67, 68
107 960	43	108 058	114	108 402	46	117 625	67, 68
107 961	46	108 060	114	108 403	45	117 626	67, 68
107 962	52	108 087	77	108 404	46	117 629	67, 68
107 963	44	108 088	77	108 405	52	117 630	68
107 964	45	108 092	115, 116	108 406	52	117 631	68
107 965	51	108 096	115, 116	108 407	51	117 633	70
107 966	56	108 099	115, 116	108 408	52	117 634	70
107 967	55	108 115	94	108 420	83, 84, 96	117 639	68
107 968	50	108 119	77	108 421	83, 92	117 640	68
107 969	49	108 121	77	108 444	113	117 641	68
107 970	70	108 122	77	108 670	70	117 642	67, 68
107 986	59, 103	108 124	77	108 921	20, 35	117 643	68
107 991	114	108 125	79	108 945	83, 91, 92	117 644	67, 68
107 992	114	108 128	44	108 961	46	117 645	67, 68
107 993	114	108 129	46	108 964	46	117 649	67, 68
107 994	114	108 132	38	108 981	98	117 808	20, 107
107 995	114	108 133	50	108 985	60, 103	117 816	20, 106, 107
107 996	114	108 134	46	108 986	60, 103	117 819	108
107 998	61	108 135	50	108 987	60, 103	117 821	108
107 998	91, 92	108 136	52	109 032	7	117 982	67, 68, 69, 115
108 009	115	108 137	56	110 032	7	117 983	98
108 011	115	108 138	46	112 007	21	117 984	98
108 012	115	108 139	52	112 008	21	117 985	98
108 014	115	108 140	56	112 009	21	117 986	98
108 015	117	108 145	114	112 010	101	117 995	115, 116
108 016	117	108 146	114	112 019	18, 21	118 034	46
108 017	117	108 147	114	112 110	101	118 035	50
108 018	117	108 149	36	112 112	21	118 036	52
108 019	117	108 150	49	112 119	22	118 037	56
108 020	96	108 151	53	112 212	21	118 038	46
108 021	114	108 152	55	112 219	22	118 039	50

Part Number Index

Part No.	Pages	Part No.	Pages	Part No.	Pages	Part No.	Pages
118 040	52	160 128	108	300 021	118	610 499	97
118 041	56	160 129	108	300 022	118	610 500	97
118 140	36	160 130	108	461 053	117	610 501	97
118 141	38	160 131	108	461 054	117	610 502	97
118 142	42	160 132	108	461 055	117	610 503	97
118 143	44	160 134	105	461 056	117	610 504	97
118 144	46	160 137	108	501 110	89, 90	610 534	59, 102
118 145	50	160 141	108	501 112	89, 90	610 535	20, 59, 102
118 146	52	160 142	107	501 113	20, 89, 90	610 703	80
118 147	54	160 143	107	501 115	90	610 704	80
118 148	56	160 144	108	501 116	90	900 103	118
118 149	44	160 145	112	501 117	89, 90	900 107	80
118 150	46	160 146	110	501 118	89, 90	900 108	80
118 242	46	160 178	81	501 119	89, 90		
118 244	46	160 179	112	501 120	89, 90		
118 245	50	160 180	112	501 121	89, 90		
118 246	50	160 183	112	501 122	90		
118 247	52	160 189	112	501 125	90		
118 248	52	160 190	112	501 126	90		
118 249	56	160 191	110	501 127	90		
118 250	56	160 499	118	501 131	89, 90		
118 630	70	160 500	118	501 150	90		
118 950	69	160 501	6, 11, 18, 20, 105	501 151	90		
118 951	69	160 503	106	501 152	90		
118 952	69	160 506	108	501 156	90		
118 953	69	160 515	106	501 157	90		
118 954	69	160 555	70	501 158	90		
118 955	69	190 335	60, 102				
118 960	69, 72	190 336	60, 102				
118 961	69	197 010	6, 10, 101				
118 962	69	197 011	101				
118 964	69	197 050	101				
118 980	69	199 005	83				
118 981	69	199 010	109				
118 983	69	199 013	83, 84				
118 984	69	199 019	11				
118 985	69	199 200	18				
118 989	69	199 201	18				
118 990	69	199 210	18				
118 991	69	199 909	11				
118 992	69						
118 993	69						
118 994	69						
118 995	69						
118 999	69						

Keyword Index

Keyword	Pages
Accessories	99
Adapter	109 - 110, 113 - 114
Air valve	3 - 4, 99 - 100, 101
Angled adapter	66, 114
Antistatic	XVIII-XXIII
ATEX	78
Automatic closure	30
ball valve	81-82
Ball valve	65-68
Barrels	60, 85-86, 103
Base insert	98
Blind plug	6, 11, 105, 108
Built-in signal box	78
Cable	80
Canister	91-96
Capillaries	117
Capillary connection	29, 105-106
Capillary connector	112
Capillary cutter	118
Change advice label	3
Change indicator	28
Collecting Trays	71, 98
Collectors	108
Configurator	116
Container	87 - 98
Container thread	87 - 88
Conversion table	130
Corrugated tube	117
CPC couplings	112
Customized production	V
Disk sensor	75, 80
Disposal units	71 - 72
Economy pack	60, 101, 102
Electronic signal boxes	73-82
Electronic switchbox	81-82
Electrostatic conductive PE-HD	XVIII-XXIII
Electrostatic conductivity	XVIII-XXIII
Electrostatics	XVIII-XXIII
Exhaust filter	27, 59-60, 99-100, 102-104
Filling barrels	85
Fire protective material	21-24, 32, 59, 103
Fire-resistant material	21-24, 32, 59, 103
Fittings	105-106
Flat canister	47, 94
Floater	31, 91, 93, 75, 76, 83-86
Funnel	63-72
Funnel made of stainless steel	70
GHS dangerous substances directive	XXIV, 137
GHS symbols	XXIV, 137
Ground Neck Bottles	12, 90
Grounding cable	115-116
Grounding cable splitter	116
Grounding connection	32, 65-72, 98, 115-116
Grounding plug	116
Grounding strap	116
Hinged lid	66, 69-70

Keyword	Pages
HPLC sets	15-16, 19-20
HPLC starter kits	18
Installation wrench	118
Laboratory bottles	89-90
Laboratory furniture	119-122
Laboratory installation	119-122
laboratory planner	119-122
Level control	31, 73-86
Level control (electronic)	31, 75-82
Level control (mechanical)	31, 76
Low level control	79-80
Luer adapter	110
Mat	116
ND9 short thread adapter	110
Offset adapter for exhaust filter	104
Online configurator	116
Pictograms	XXVI-XXVII
Politainer	97
Preparative HPLC	7-8
Protective cage	84
Safety funnels	63-72
Safety lance	65, 67, 69
Safety storage cabinets	119-122
SafetyCaps	5-22
SafetyWasteCaps	35-58
Shut-off	9, 10, 30
Sieve	67 - 70
Signal boxes	77-82
Signal cable	80
Space-saving canister	37, 61, 91
Special adapter	109-110
Special sizes	13
Splash protector	59, 103, 65, 68
Spout	97
Stainless steel funnel	70
Stand for 2 space-saving canisters	92
Suction filter	118
Switch amplifier	77
Switchbox	81-82
SymLine	119-122
Test report	XIV-XVII
Thread adapter	85, 113-114
Thread info	35-58, 87-88, 123-130
Thread size	87-88
Tool	118
TRBS 2153	XXV
TRGS 526	XXV
TRGS 727	XXV
Tube connection	29, 33-34, 107-108
Tube connector	111
Tube fitting	107-108
Tubes	117
Ventilation adapter for funnel	70
Viewing stripe	92, 96, 83, 84
Wide neck bottles	90

Terms and Conditions of the S.C.A.T. Europe GmbH

§ 1 General

- 1.1 The following provisions apply to all initial, ongoing and future business relationships between us and our clients who are contractors/traders within the meaning of § 14 of the German Civil Code (Bürgerliches Gesetzbuch). Our Terms and Conditions of Supply, Performance and Payment apply exclusively and by placing orders with us our customers declare that they are in agreement with these conditions; this applies equally for future business if these conditions are expressly referred to or if they are not referred to but are sent to the customer in connection with an order that we are acknowledging. If the order is placed at variance with our Terms and Conditions of Supply, Performance and Payment, our Terms and Conditions of Supply, Performance and Payment apply even if we do not object to such alternative conditions. Terms and conditions which are at variance with our standard Terms and Conditions of Supply, Performance and Payment apply only if we have expressly acknowledged such alternative conditions in writing. Amendments of and additions to these Terms and Conditions of Business must be made in writing. The customer can only invoke collateral agreements prior to and at the conclusion of the contract if such agreements are confirmed in writing without delay. These provisions do not apply if our customer is a consumer within the meaning of § 13 of the German Civil Code. The language of our contractual dealings is German.
- 1.2 The customer's General Terms and Conditions of Business are excluded unless we have expressly recognized them.
- 1.3 Our offers are subject to final confirmation; we reserve the right to make technical changes to our products. Files that are important for conducting business may be stored by us on data processing equipment.
- 1.4 Supply contracts and all other agreements (including collateral agreements) as well as statements made by our representatives are only binding in law on us if confirmed in writing. Business correspondence printed on data processing equipment (e.g. order confirmations, invoices, credit notes, extracts from accounts, payment reminders) is binding in law without a signature.
- 1.5 We draw our customers' attention to the fact that we process and transmit their personal data (exclusively for business purposes) with the aid of electronic data processing equipment in accordance with the requirements of the German Federal Data Protection Act (Bundesdatenschutzgesetz).

§ 2 Agreement on prices

- 2.1 Our prices exclude any Value Added Tax which may be imposed by law and are ex works. In case of orders for which no prices are agreed, our prices valid on the day of delivery apply and are expressed in Euros (EUR) unless indicated otherwise.
- 2.2 If changes to the prices should occur up to the day of delivery, we reserve the right to amend our prices accordingly. However, this only applies to delivery periods longer than 4 months and price changes not exceeding 10%. If the price change is greater, a new price agreement must be concluded. If such an agreement should not be concluded, we have the right to withdraw from the contract in writing within 14 days.
- 2.3 Confirmed prices only apply when the quantities confirmed are accepted by the customer.
- 2.4 Packing, transport, freight and insurance costs are charged to the customer. A surcharge of € 20.00 net will be invoiced on orders with value under € 250.00 net.

§ 3 Payment

- 3.1 The purchase price and/or agreed compensation for work including all costs are due for payment without reduction on receipt of invoice. Our invoices must be paid within 30 days without deductions. Payments are not deemed to have been received until the day on which we have access to the funds.

- 3.2 Payments must be made including VAT and without deduction of any prompt payment discounts or other deductions unless any other terms of payment are expressly agreed in writing.
- 3.3 Bills of payment are only accepted by express agreement and – also in the case of checks – only as an undertaking to pay and subject to our acceptance of them on a case by case basis. Discounting and other fees must be born by the customer and are due for payment immediately.
- 3.4 All payments are credited first to interest and costs and thereafter to our oldest receivables, irrespective of the customer's directions.
- 3.5 If payments are late, we will invoice interests on such payments at the level allowed by law. The assertion of additional claims for compensation is not allowed.
- 3.6 If payment should be late, checks and bills of exchange dishonored, payments suspended, the filing of proceedings for the arrangement of debt, failure to abide by the terms of payment or if circumstances arise likely to reduce the customer's creditworthiness, all our receivables – including in the event if a payment moratorium – are due for immediate payment. We are also entitled to perform services and make deliveries which are still outstanding only against the payment of cash or to withdraw from the contract after setting a reasonable grace period and to require compensation in lieu of performance.
- 3.7 Claims arising from the contractual arrangement may only be assigned by the customer with our express consent. Off-setting or retention are only permitted in respect of uncontested counterclaims which have been judged to be final and absolute. We are entitled to refuse the exercise of the right of retention in the form of a provision of a bond or a surety (Bürgschaft).

§ 4 Retention of title

- 4.1 All our deliveries are made with retention of title (goods subject to retention of title). Title does not pass to the customer until he has paid all his liabilities owed to us (including those arising from incidental claims) arising from our supplies and services. If we are trading with the customer on open account, the goods subject to retention of title are deemed to be collateral for our account balance including when payment is made against liabilities which have been specifically excluded.
- 4.2 If goods we have supplied should be mixed with or connected to other objects, the customer will assign to us (joint) title on the item arising therefrom in the ratio of the value of our goods subject to retention of title to the invoice value of the other goods used. If the customer should prejudice our rights set out above, he is obliged to pay us compensation. Dismantling and other costs are for the customer's account.
- 4.3 The customer may only sell the goods we delivered in the normal course of business and in such a case may only sell or use them (e.g. as part of a contract for work and services or a contract for work done and materials supplied) if his customer has not excluded the reassignment of the receivable arising from the resale or re-use of the goods. The customer is obliged to ensure that his customer delivers any retention of the right to consent to the assignment to us in the required form. The customer is not allowed to pledge by way of security or hypothecate the goods to which title is reserved.
- 4.4 The customer must inform us immediately of any attachment, even if such attachment is imminent or any other prejudice to the right of ownership in writing and to third parties and to us. In the case of attachments, a copy of the return of execution must be sent to us.
- 4.5 If a customer should default on payment, we are entitled to demand return of the goods subject to right of retention of title and to procure direct possession of such goods for us or via authorized persons, irrespective of where the goods are located. The customer is obliged to return to us the goods to

which title is reserved and is also obliged to provide us with the information necessary for us to assert our rights and to surrender documents for this purpose. The request for the goods is not deemed to be withdrawal from the contract. The same applies for the withdrawal of goods subject to retention.

- 4.6 In order to act as collateral for our claims (including future claims) arising from the business relationship, the customer hereby assigns to us all the receivables (including those on open account) with all ancillary rights which arise to him through the resale and other use of the goods subject to retention of title (e.g. combination, processing, installation in a building).
- 4.7 If the sale or other use of our goods subject to retention of title – in whatever state – should be made in conjunction with the sale or other use of objects to which third party rights are attached and/or in conjunction with the performance of services by third parties, the assignment of future claims is limited to the invoiced value of our invoices.
- 4.8 The customer is entitled to collect receivables which have been assigned to us. In the event of payment default, suspension of payments, the application for or opening of insolvency or out of court composition proceedings or other deterioration of the customer's assets, we may revoke this authorization to collect receivables. If so required, the customer must inform us of the receivables which have been assigned and of the parties owing such receivables, and provide us with all information necessary for the collection of these receivables, to surrender to us the associated documents and inform the debtor of the assignment. We are also entitled to inform the customer's debtors of the assignment and require the debtors to pay us.
- 4.9 If the realizable value of the collateral to which we have been entitled in accordance with the above provisions should exceed the value of our receivables by more than 10%, we are obliged to release the excess collateral at our option if so required by the customer.

§ 5 Supplies and service

- 5.1 Partial deliveries are only permitted to a reasonable extent. We may invoice partial payments to a reasonable degree. We reserve the right to correct orders so that they comply with packaging units. The order is deemed to be completed if plus or minus 10% of the quantity is delivered.
- 5.2 The delivery route, delivery method, packaging and other protection for deliveries are at our option. Transport risks are borne by the customer in all cases. We are entitled, but not obliged, to insure deliveries in the name and for the account of the customer.
- 5.3 The customer must arrange for any damage and/or loss to be recorded in writing by the carrier immediately on receipt of the goods and claims asserted.
- 5.4 Shipments that are returned to us will only be accepted insofar as the fact that they are being reported to us in advance, in which case the following conditions must be fulfilled:
- The identification that the customer receives when reporting a return shipment to us must be stated on the return documents and
 - All such shipments must be reported in our incoming goods department by means of the freight papers on which this identification number is noted.
- 5.5 The following rules apply to return shipments excepting those for return of defective delivered goods (Sect. 5.4):
- The goods were delivered at most 4 weeks before in case of deliveries within Germany, at most 6 weeks before in the case of deliveries to European customers and at most 8 weeks before in the case of deliveries to overseas customers.
 - The regulations of Section 5.4 apply to reporting, labeling and acceptance of return shipments.
 - Only return goods that are undamaged, unopened and have no additional writing or labels on them – so that these goods can be resold by us – will be accepted.

- d) The return delivery takes place at the expense and risk of the customer.
- e) In addition, a processing fee of 20% of the goods' value will be charged to the customer, whereby this charge shall be at least 30.00 Euros per return shipment. All delivery dates are ex works.

§ 6 Passage of risk and placement of performance

- 6.1 We bear the risk up until the time when the goods are handed over to the mail service or to the carrier or the company charged with organizing the transportation.
- 6.2 The customer also bears the risk before hand-over if he delays the hand-over.
- 6.3 The place of performance for delivery and payment is our company seat in Mörfelden.

§ 7 Time limits

- 7.1 If the customer should be in breach of his obligations of cooperation (e.g. by failure to call off the goods in time and refusal to accept them), we are entitled, at the end of a grace period which has elapsed without performance being made, to take the necessary steps ourselves and to deliver the goods or to withdraw from that part of the supply contract where performance has not been made. Our right to require compensation for breach of duty and compensation in lieu of performance is unaffected hereby. In the case of call-off orders, the customer must take the whole quantity within 12 months.
- 7.2 In the case of goods which we supply but do not manufacture ourselves, supply is subject to timely and correct deliveries to ourselves unless we are responsible for late, incorrect or short delivery.
- 7.3 Force majeure events extend the delivery time commensurably and entitle us to withdraw from the contract in whole or in part. Strikes, lockouts, disruptions of operations or other unanticipated circumstances for which we are not responsible and which materially impede delivery or render delivery impossible are of equal ranking with force majeure. This also applies if the above-mentioned circumstances occur during a delivery delay or at a supplier.
- 7.4 If the time period or an agreed date is exceeded, the customer has the right to require us to state within two weeks whether we are withdrawing from the contract or wish to deliver within a reasonable grace period. If we fail to provide a statement, the customer may withdraw from the contract in so far as performance is without interest to him.

§ 8 Liability for defects

- 8.1 The goods supplied are free from material defects if they comply with the product description or, in so far as no product description is available, comply with the relevant state of the art. We reserve the right to make changes in design and/or workmanship which do not prejudice the fitness for use or value of the goods which are to be supplied; such changes do not justify a complaint for defects. If defects do not prejudice the fitness for use or the value of the goods which are supplied or only prejudice such fitness and value to an immaterial extent, there are no grounds for claims due to defects.
- 8.2 Guarantees relating to the character and durability of the goods which are supplied are only deemed to have been accepted to the extent that we have expressly recognized the guarantee in writing as such. Guarantees which our suppliers have made in written guarantees, in relevant publicity or other product documentation, are not made by us. They obligate only the supplier who made this acceptance of guarantee.
- 8.3 Defects must be noted without delay and are excluded if they are not received by us within 2 weeks of the receipt of delivery. Defects which cannot be ascertained within this period even after the most careful examination must be reported to us without delay and not later than 2 weeks after discovery. We are not responsible for damage due to breakage of

glass during transportation caused after the transfer of risk. Breakages with a value of up to and including € 20.00 will not be replaced.

- 8.4 If the goods which were delivered should exhibit defects or if they fail to comply with a warranted property, we will, at our option, either rectify the defect free of charge or replace the goods by defect-free goods (subsequent performance). The customer must allow us, or a person authorized by us, the time and opportunity for such actions. If this does not occur or if modifications or repairs are undertaken to the object which is the subject of the complaint, we are released from liability for the defect.
- 8.5 If subsequent performance should fail or if subsequent performance is not made within a reasonable grace period imposed on us by the customer, the customer may require a reduction in price or withdraw from the contract. The purchaser cannot require reimbursement for his expenses incurred to no effect.
- 8.6 Claims by the customer for expenditure necessary for the purpose of subsequent performance (Clause 8.4) or reversal after withdrawal from the contract (Clause 8.5), especially transportation, shipping, labor and material costs are excluded in so far as the expenditure arose because the goods were installed in a location difficult to access. The same applies mutatis mutandis if the goods which were delivered were installed in a location outside the Federal Republic of Germany.
- 8.7 Damage which occurs through incorrect or defective installation, commissioning, handling, operation or maintenance or through the use of unsuitable apparatus or apparatus other than the specified apparatus do not give rise to any grounds for claims for defects.
- 8.8 The time limits specified by law for the assertion of claims for defects applies. The time period commences on the day of our delivery. In the event of loss of life, bodily injury or impairment of health and in the event of gross or intentional neglect of duty on our part and in the event of fraudulent concealment of a defect or if properties have been warranted, the normal statutory prescription periods apply.
- 8.9 For the remainder, Clause 9 applies for claims for compensation. Additional claims by customers for defects are excluded.

§ 9 Compensation

- 9.1 We accept liability for compensation and reimbursement of expenditure incurred to no effect (§ 284 of the German Civil Code) for reason of breach of contract or non-contractual obligations (e.g. for reason of default or tortious acts) only in the case of intent or gross negligence; in the case of culpable loss of life, bodily injury, fraudulent concealment of a defect or acceptance of a warranty as to properties or under the German Product Liability Act (Produkthaftungsgesetz) we only accept liability for personal loss or for damage to property in the case of objects used for private purposes.
- 9.2 In addition we accept liability for breach of material contractual obligations also in the event of ordinary negligence. However, in this case our liability is limited to damage which could have been reasonably foreseen at the time of conclusion of the contract and which is typical under the contract.
- 9.3 In the case of loss caused by delay and in the event of ordinary negligence, we only accept liability amounting to 5% of the purchase price agreed with us.
- 9.4 The purchaser has to notify us immediately in writing about potential consequences of delay.
- 9.5 The provision above does not cause any change of the burden of proof in the detriment of the customer.

§ 10 Intellectual property rights, confidentiality

- 10.1 We retain ownership and all intellectual property rights of our designs, samples, drawings, technical documentation, cost estimates even if the customer has accepted the costs thereof. The customer may

only use the designs etc. in a manner agreed with us. He may not manufacture the goods without our written consent or cause the goods to be manufactured by a third party.

- 10.2 In so far as we supply goods in accordance with designs specified by the customer, the customer warrants to us that intellectual property rights and other third party rights are not breached by their manufacture and supply. He must compensate us for all losses resulting from such infringements.
- 10.3 The customer must retain confidentiality vis-à-vis third parties in respect of all information not in the public domain which was obtained as a result of this business relationship.
- 10.4 Drawings, pictures, sketches and weights are approximate/conditionally authoritative, save as confirmed expressly and bindingly. The customer guarantees that the documents do not infringe the third party rights of third persons. He has to indemnify us and hold us harmless for any loss damage or costs, including reasonable attorneys' fees, resulting from any third party claim, action or demand.

§ 11 Records

Documents, drawings and pictures supplied by us must not be made available to any third party or reproduced or used for any purpose outside this contract.

§ 12 Provision in respect of electronic business transactions

If we use a tele or media service within the meaning of § 312e of the German Civil Code for the purpose of the conclusion of a contract for the supply of goods or the performance of services, the customer waives

- a) provision and demonstration of a system which the customer can use to recognize and correct entry errors before the order is transmitted, and
- b) provision of information in respect to
 - ba) the languages in which the contract can be concluded,
 - bb) the steps to be carried out for the contract to be concluded and
 - bc) storage of the contract text after conclusion of the contracts so that it is accessible by the customer.

§ 13 Final provisions

- 13.1 The place of jurisdiction and performance is Mörfelden in so far as the customer is a merchant. However, we are also at liberty to take legal action before the court competent for the customer's legal domicile.
- 13.2 If a provision of these General Terms and Conditions of Business or in other agreements between the customer and ourselves should become invalid, the validity of all other provisions or agreements is unaffected thereby. If a provision of these contractual terms and conditions is invalid, after taking into account the other provisions this provision is to be replaced by a valid provision which comes closest to the economic purpose of the invalid provision.
- 13.3 This contract is governed exclusively by the law of the Federal Republic of Germany. International law, including international conventions on the cross-border sale of goods, is excluded.

Safety instructions

Guarantee/safety of our products

A rigorous quality control ensures that you will receive high quality products without defects from us. If a product should nonetheless prove to be defective, as a matter of course you will receive a cost-free replacement. Because technically demanding components are dealt with, we can offer no guarantee for articles which are technically altered or damaged by the user.

Because it is the responsibility of the user to examine the technical suitability of the desired article, the same applies for specially manufactured articles which are produced according to customer specifications. We accept no liability for events or accidents emerging from improper handling or technical modification of our products by the user.

Safety and health

Pay particularly close attention to the hazard symbols (incl. hazard statements) and safety data sheets (SDS) in your operation and on the packaging of your chemicals. Whenever handling materials designated as hazardous, always use the prescribed personal protective equipment (PPE)!

Chemical compatibility

Due to the wide variety and the different compositions of solvents and substances available on the market, we can assume no guarantee for chemical compatibility. The materials with the best resistance according to the most up-to-date knowledge have been selected for S.C.A.T. products with particular consideration of the requirements for working with aggressive fluids. You may obtain information regarding compatibility with specific substances from the manufacturer of your chemicals or other expert sources.

A continuously updated table about: "Plastics - Chemical resistance to chemicals" is ready for you to download at www.scatt-europe.com.

We would be pleased to offer you consultation during selection of suitable products for your application. The responsibility for the selection of the chemicals used lies with the end user. S.C.A.T. Europe offers no guarantee for the results and assumes no obligation or liability concerning the use of these products as regards their chemical compatibility, or abrasive effects.

Grounding and anti-static

Our products for safe grounding of containers and receptacles are specified for connection to installations with no current or voltage. These and the connection to electrically powered installations or electrically conductive components must only be carried out by qualified personnel! Please also observe the internal safety regulations of your company.

GHS 01
Explosives



GHS 02
Flammable Liquids



GHS 03
Oxidizing Liquids



GHS 04
Burst/
Cryogenic burns



GHS 05
Corrosive



GHS 06
Acute Toxicity



GHS 07
• Irritant Effect
• Adverse health effects
• Damage of ozone layer



GHS 08
Serious and prolonged
health effects

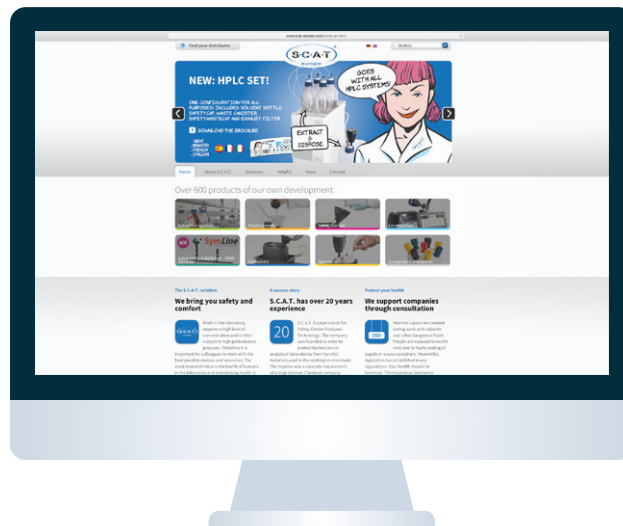


GHS 09
Intoxications/
Long lasting effects
for environment





Technical support
info@scat-europe.com
+ 49 (0) 6105 30 55 86 - 0



facebook.com/SCATEurope



[@SCATEurope](https://twitter.com/SCATEurope)



[SCAT Europe GmbH](https://www.youtube.com/SCATEurope)

www.scat-europe.com



The high quality products from S.C.A.T. Europe
are available through your specialist dealer



S.C.A.T. Europe GmbH

Opelstraße 3

D - 64546 Mörfelden

Tel.: + 49 - (0) 6105 - 30 55 86 - 0

Fax: + 49 - (0) 6105 - 30 55 86 - 99

e-Mail: info@scat-europe.com

Web: www.scat-europe.com